

180,681

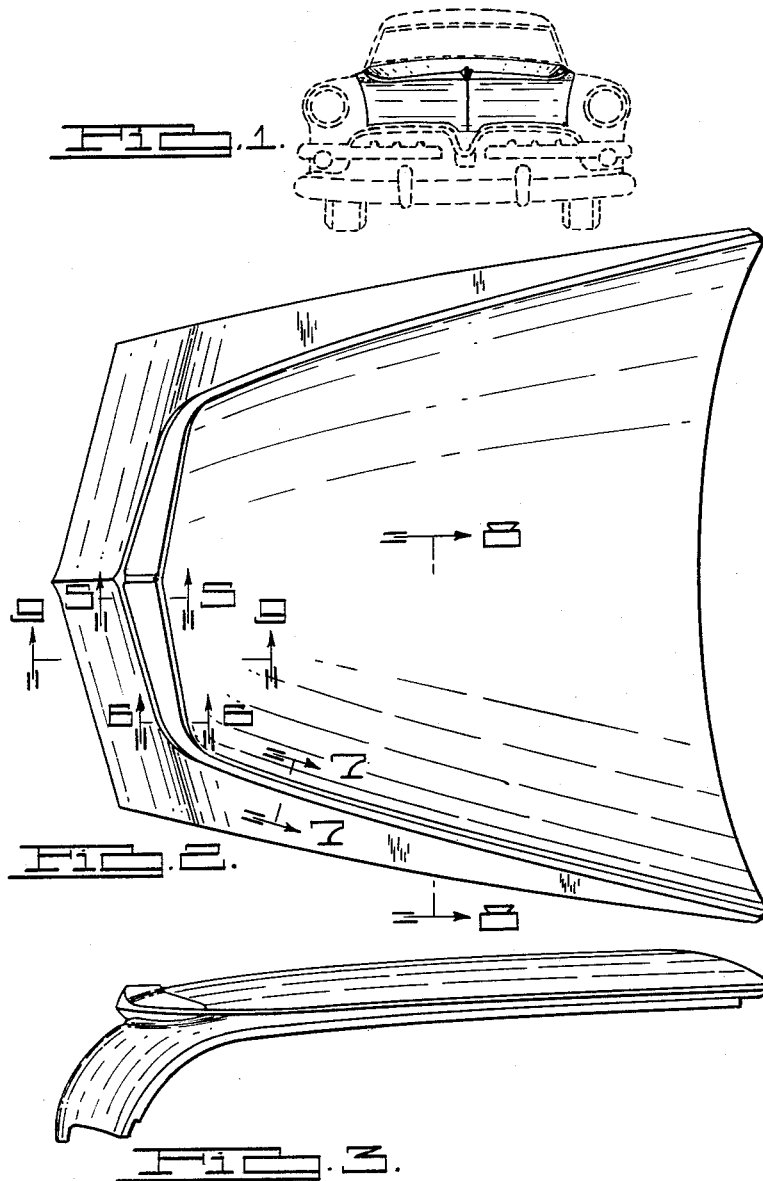
## AUTOMOBILE HOOD

Herbert F. Weissinger, Franklin, Mich., assignor to  
Chrysler Corporation, Highland Park, Mich., a corpo-  
ration of Delaware

Application September 2, 1955, Serial No. 37,768

Term of patent 7 years

(Cl. D14-18)



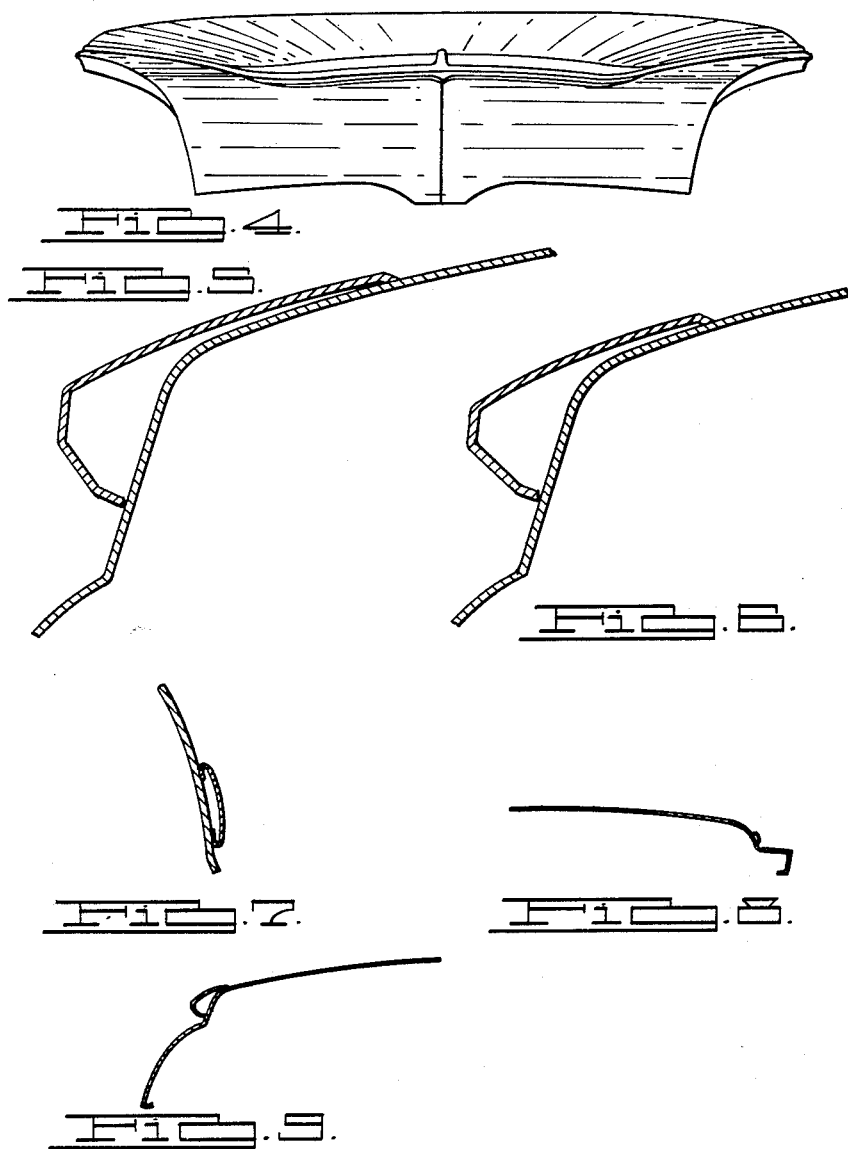


Fig. 1 is a front elevational view on a reduced scale of an automobile hood, showing my new design;

Fig. 2 is a top plan view thereof shown on a larger scale;

Fig. 3 is a side elevational view of the automobile hood;

Fig. 4 is a front elevational view; and

Figs. 5, 6, 7, 8 and 9 are sectional views taken on the lines 5-5, 6-6, 7-7, 8-8 and 9-9, respectively, of Fig. 2.

The characteristic features of my design for the automobile hood disclosed reside in the configuration of the upper layer portion bordered by the hood ornament and trim as shown.

I claim:

The ornamental design for an automobile hood, substantially as shown and described.

**References Cited in the file of this patent**

**UNITED STATES PATENTS**

D. 171,836 Bannister ..... Mar. 30, 1954

**OTHER REFERENCES**

1952 Mercury pamphlet, front cover, and also Custom 2-door sedan illustrated inside pamphlet.