

180,704

## AUTOMOBILE LAMP

John E. Schwarz, Oak Park, Mich., assignor to Chrysler Corporation, Highland Park, Mich., a corporation of Delaware

Application June 11, 1956, Serial No. 41,859

Term of patent 14 years

(Cl. D48—32)

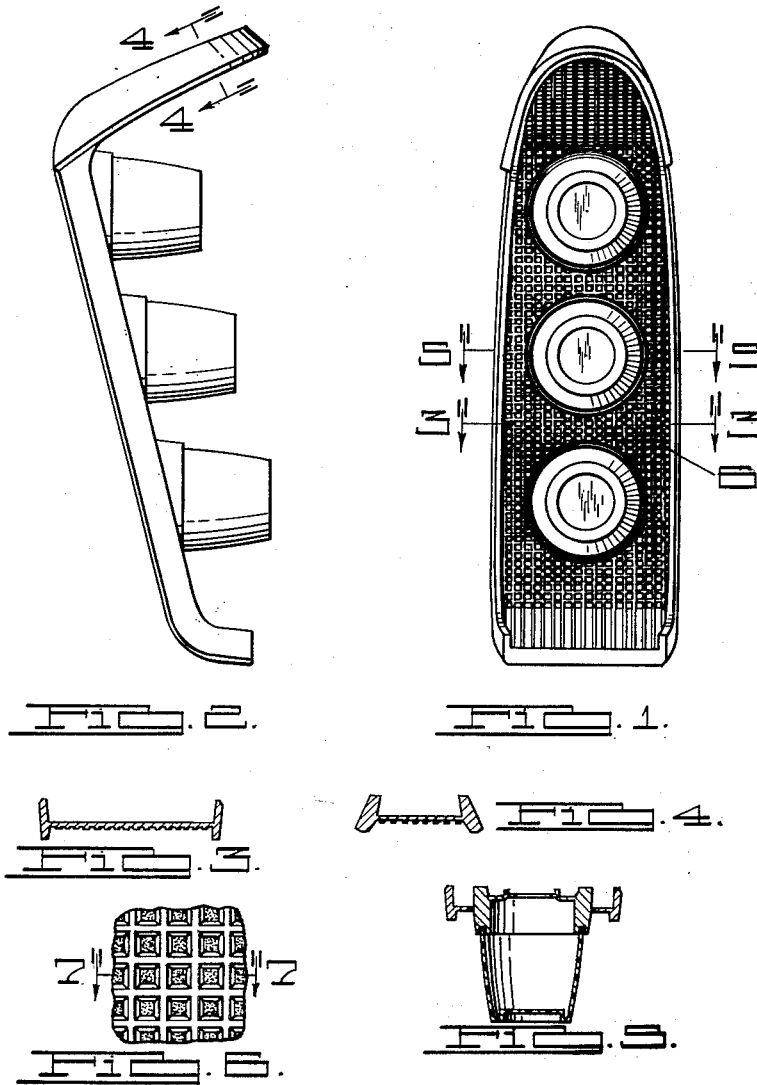


Fig. 1 is a front elevational view of an automobile lamp showing my new design;

Fig. 2 is a side elevational view thereof;

Fig. 3 is a sectional view taken on the line 3—3 of Fig. 1;

Fig. 4 is a sectional view taken on the line 4—4 of Fig. 2;

Fig. 5 is a sectional view taken on the line 5—5 of Fig. 1;

Fig. 6 is an enlarged fragmentary view of the area designated by the circle 6 in Fig. 1; and

Fig. 7 is a sectional view taken on the line 7—7 of Fig. 6.

I claim:

The ornamental design for an automobile lamp, substantially as shown.

### References Cited in the file of this patent

#### UNITED STATES PATENTS

D. 89,304	Gross	Feb. 21, 1933
D. 165,019	Neunaber	Oct. 30, 1951
D. 170,842	Voss	Nov. 10, 1953
D. 175,018	Earl et al.	June 28, 1955