



US00D671058S

(12) **United States Design Patent**
Hermann et al.

(10) **Patent No.:** **US D671,058 S**

(45) **Date of Patent:** **** Nov. 20, 2012**

(54) **WHEEL OR WHEEL COVER**

(75) Inventors: **Torsten Hermann**, Affalterbach (DE);
Kai Hilpert, Affalterbach (DE)

(73) Assignee: **Daimler AG**, Stuttgart (DE)

(**) Term: **14 Years**

(21) Appl. No.: **29/371,514**

(22) Filed: **Mar. 31, 2011**

(30) **Foreign Application Priority Data**

Oct. 1, 2010 (EM) 001762378-0003

(51) **LOC (9) Cl.** **12-16**

(52) **U.S. Cl.** **D12/209**

(58) **Field of Classification Search** D12/204–213;
301/37.101, 64.101, 65, 64.201

See application file for complete search history.

(56) **References Cited**

U.S. PATENT DOCUMENTS

D351,582 S *	10/1994	Echazabel et al.	D12/209
D361,320 S *	8/1995	Wise	D12/209
D371,100 S *	6/1996	Hatter	D12/209
D390,180 S *	2/1998	Dehner	D12/209
D400,153 S *	10/1998	Bhambra	D12/209
D409,546 S *	5/1999	Stark	D12/209
D428,377 S *	7/2000	Kubosaki et al.	D12/209
D430,841 S *	9/2000	Tanghetti	D12/209

D445,749 S *	7/2001	Kuninari et al.	D12/209
D451,065 S *	11/2001	Braun	D12/211
D455,693 S *	4/2002	Sato et al.	D12/209
D472,509 S *	4/2003	Laengerer	D12/209
D499,058 S *	11/2004	Iwauchi et al.	D12/209
D502,909 S *	3/2005	Pfeiffer	D12/211
D504,096 S *	4/2005	Nakagawa et al.	D12/209
D514,494 S *	2/2006	Scheu	D12/209
D573,932 S *	7/2008	Laengerer	D12/209
D584,208 S *	1/2009	Markefka	D12/209
D619,524 S *	7/2010	Gabath	D12/209
D631,812 S *	2/2011	Juergens et al.	D12/209
D638,762 S *	5/2011	Hilpert	D12/209
D654,842 S *	2/2012	Blasi	D12/209
D655,660 S *	3/2012	Stucki	D12/209

* cited by examiner

Primary Examiner — Stacia Cadmus

(74) *Attorney, Agent, or Firm* — Crowell & Moring LLP

(57) **CLAIM**

The ornamental design for a wheel or wheel cover, as shown and described.

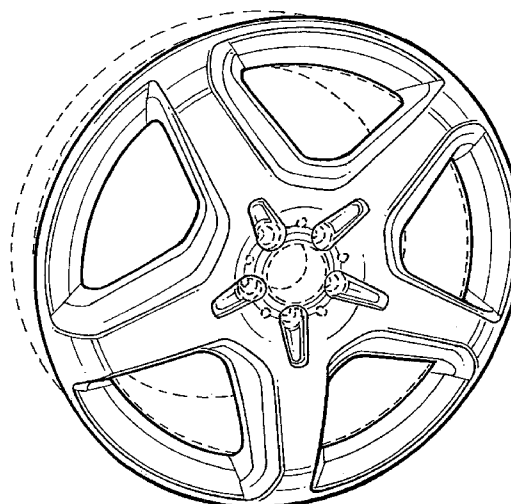
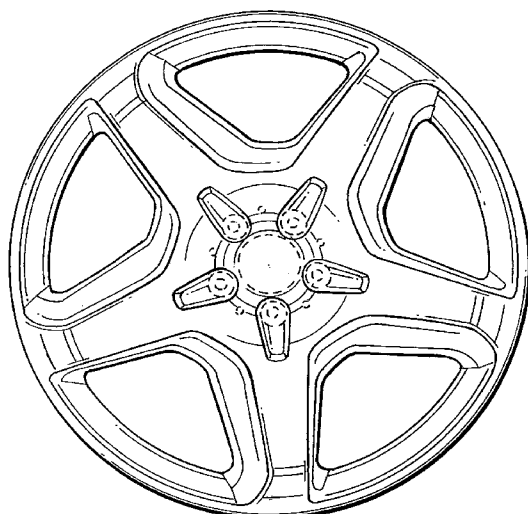
DESCRIPTION

FIG. 1 is a front view of a wheel or wheel cover according to our design; and,

FIG. 2 is a perspective view thereof.

The broken line showing of the rear of the wheel and the bolt holes and center opening in the central hub area is included for the purpose of illustrating environment and forms no part of the claimed design.

1 Claim, 1 Drawing Sheet



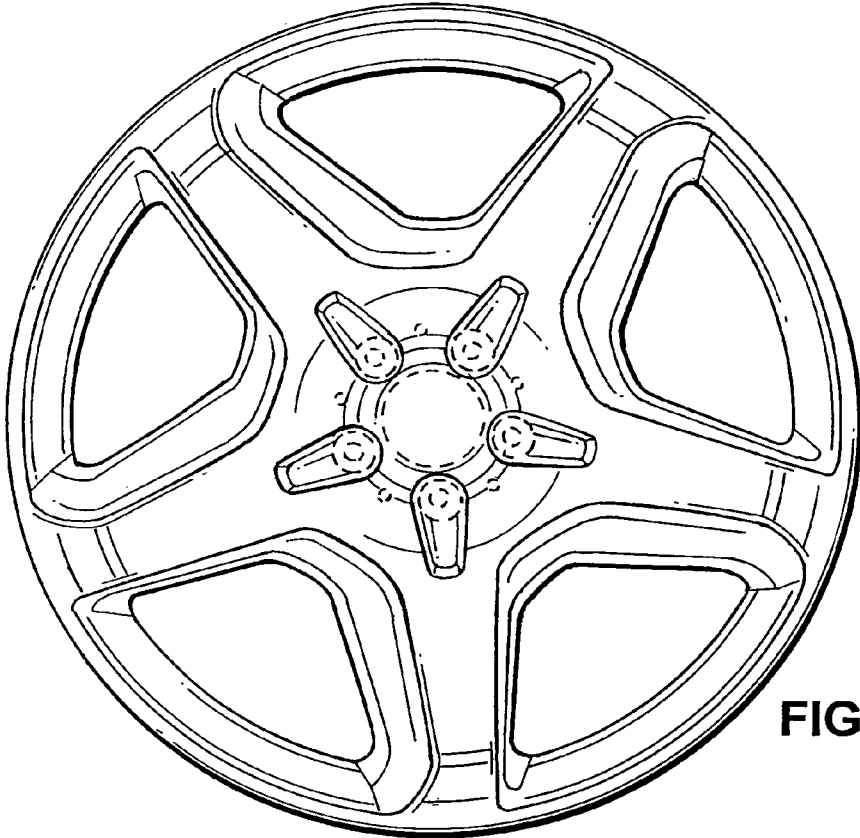


FIG. 1

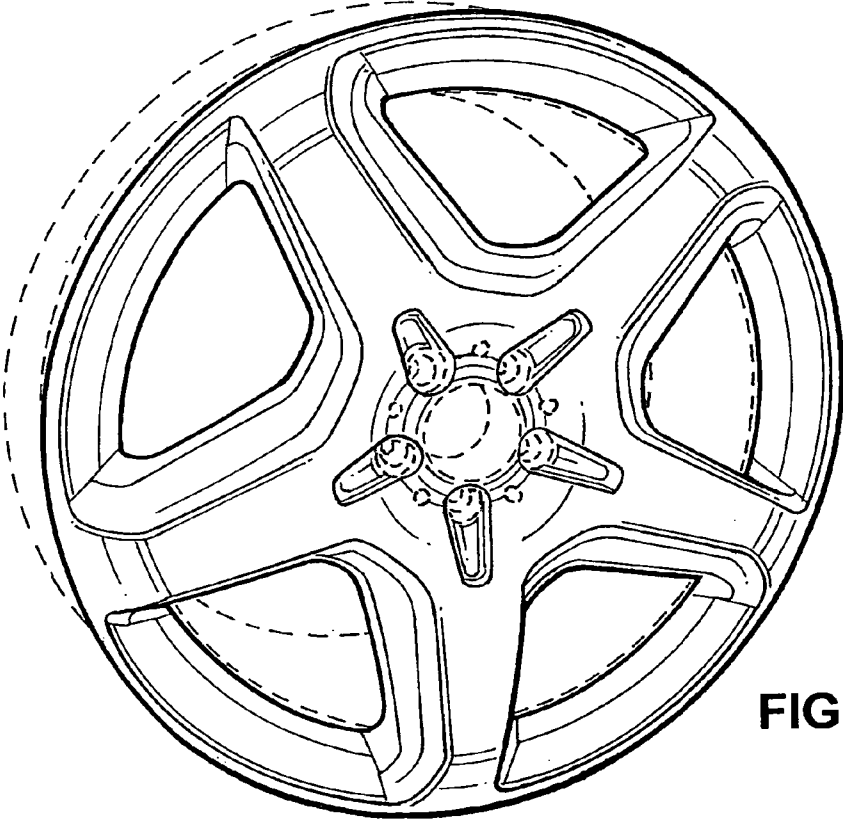


FIG. 2