

212,157

HOUSING FOR A SEQUENTIAL TIMING DEVICE

Joseph E. Wiser, Indianapolis, Ind., assignor to P. R. Mallory & Co., Inc., Indianapolis, Ind., a corporation of Delaware

Filed Sept. 9, 1966, Ser. No. 3,898

Term of patent 14 years

(Cl. D26—13)

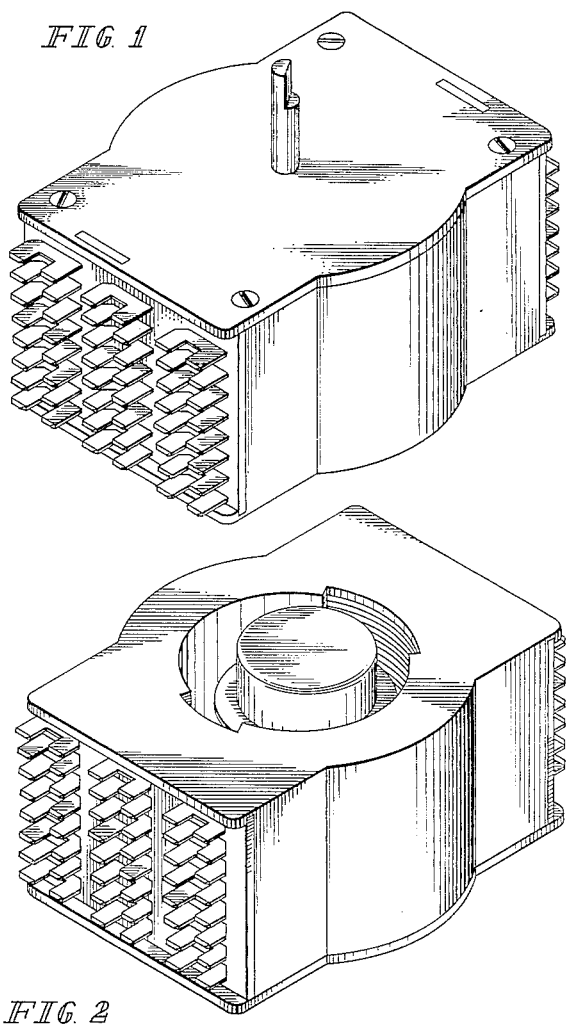


FIG 2

FIGURE 1 is a top perspective view of a housing for a sequential timing device;

FIGURE 2 is a bottom perspective view of a housing for a sequential timing device showing our new and ornamental design;

I claim:

The ornamental design for a housing for a sequential timing device, substantially as shown and described.

References Cited

UNITED STATES PATENTS

3,118,981	1/1964	Zoppoth	200—38
3,271,541	9/1966	Dotto et al.	200—38
3,329,781	7/1967	Wiser	200—38

OTHER REFERENCES

Electronic Engineers Master Catalog, 1964—65, p. 1251, right center of page, item 905, attenuation.

WALLACE R. BURKE, *Primary Examiner.*