



US00D671248S

(12) **United States Design Patent**
Fuchigami et al.

(10) **Patent No.:** **US D671,248 S**

(45) **Date of Patent:** **** Nov. 20, 2012**

(54) **REAR COMBINATION LAMP FOR AN
AUTOMOBILE**

(75) Inventors: **Hideyuki Fuchigami**, Kanagawa-ken
(JP); **Hisatugu Hirabayashi**,
Kanagawa-ken (JP)

(73) Assignee: **Nissan Jidosha Kabushiki Kaisha**,
Kanagawa (JP)

(**) Term: **14 Years**

(21) Appl. No.: **29/414,178**

(22) Filed: **Feb. 24, 2012**

(51) **LOC (9) Cl.** **26-06**

(52) **U.S. Cl.** **D26/28**

(58) **Field of Classification Search** D26/28-36;
362/459-468, 475-478, 485-487

See application file for complete search history.

(56) **References Cited**

U.S. PATENT DOCUMENTS

D528,231 S *	9/2006	Ikeda	D26/28
D528,686 S *	9/2006	Kato	D26/28
D529,208 S *	9/2006	Ikeda	D26/28
D535,409 S *	1/2007	Yamaguchi	D26/28
D550,380 S *	9/2007	Lin	D26/28

* cited by examiner

Primary Examiner — Marcus Jackson
(74) *Attorney, Agent, or Firm* — Fross Zelnick Lehrman &
Zissu, P.C.; Lawrence E. Apolzon, Esq.

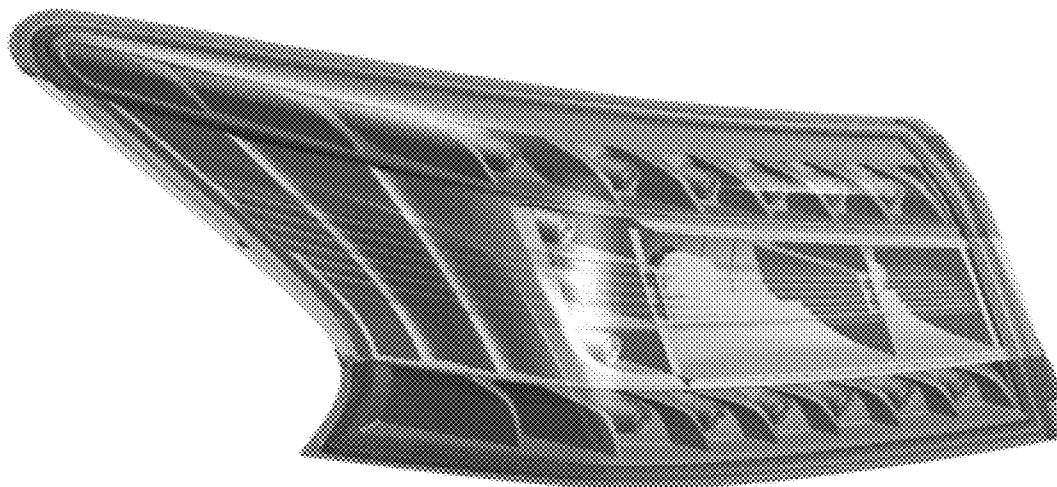
(57) **CLAIM**

The ornamental design for a rear combination lamp for an automobile, as shown and described.

DESCRIPTION

FIG. 1 is a perspective view of a rear combination lamp for an automobile showing our new design;
FIG. 2 is a front view thereof;
FIG. 3 is a left side view thereof; and,
FIG. 4 is a top view thereof.

1 Claim, 2 Drawing Sheets



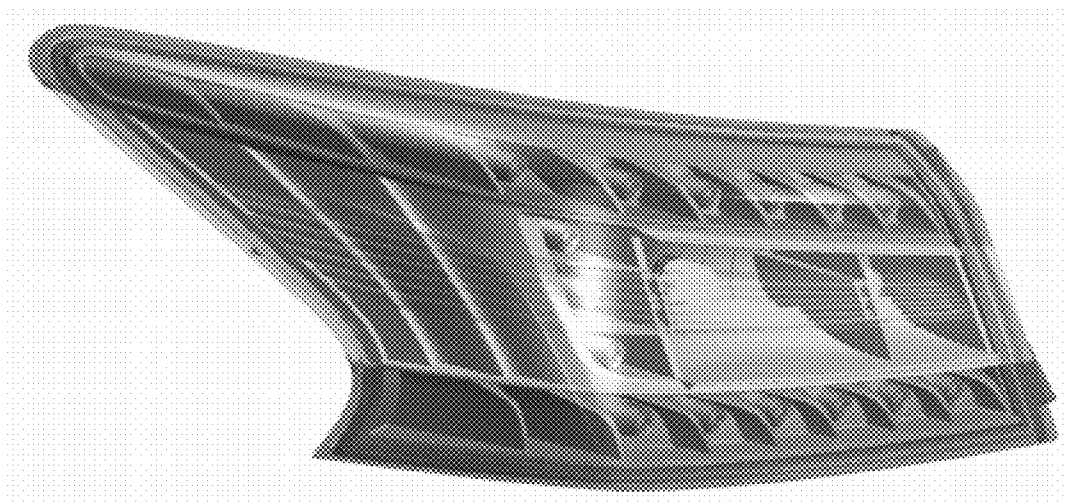


FIG. 1

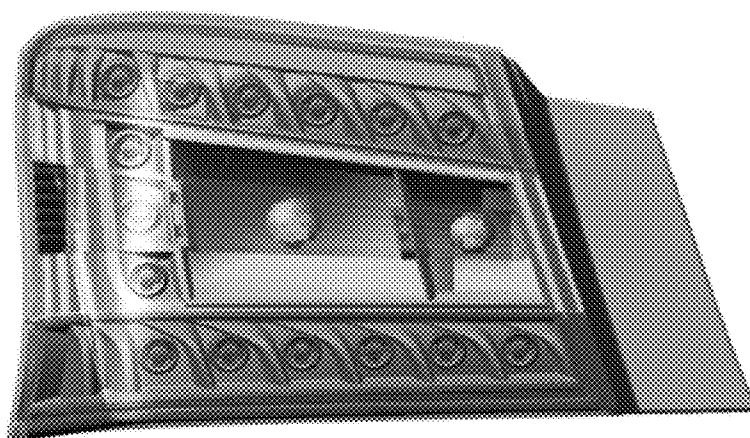


FIG. 2

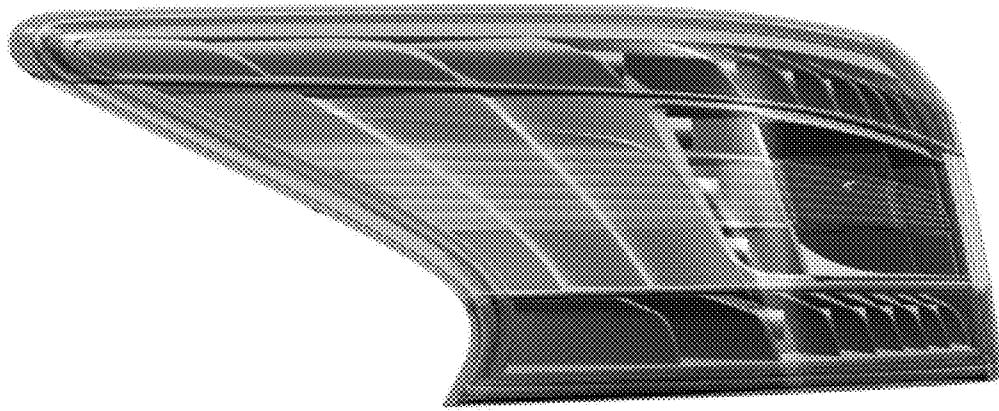


FIG. 3

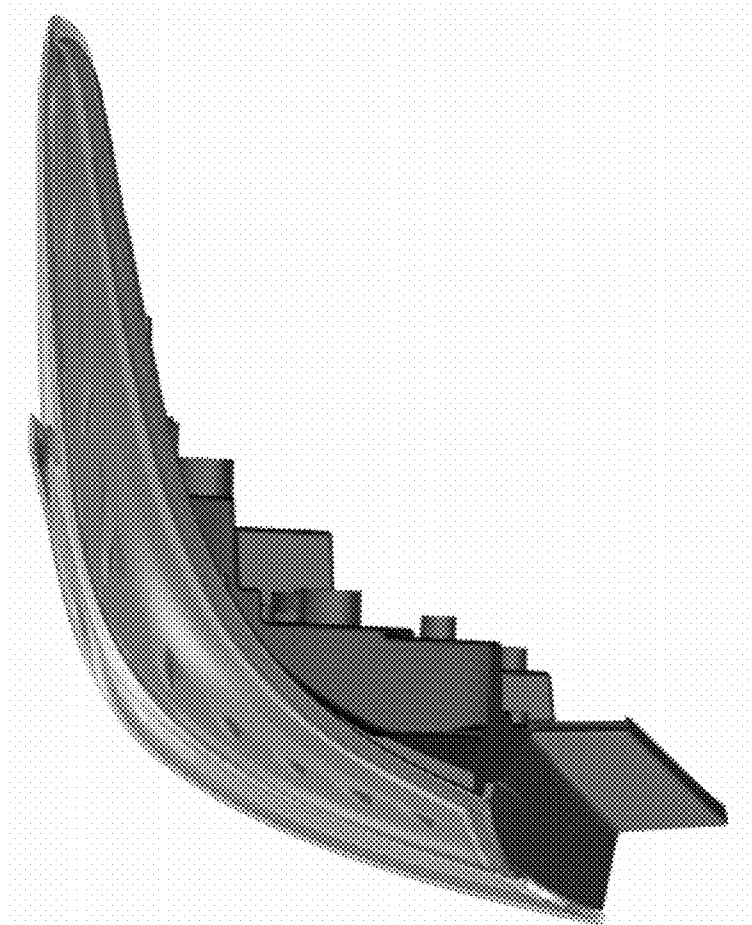


FIG. 4

UNITED STATES PATENT AND TRADEMARK OFFICE
CERTIFICATE OF CORRECTION

PATENT NO. : D671,248 S
APPLICATION NO. : 29/414178
DATED : November 20, 2012
INVENTOR(S) : Hideyuki Fuchigami et al.

Page 1 of 1

It is certified that error appears in the above-identified patent and that said Letters Patent is hereby corrected as shown below:

On the Title page of the patent, (30) Foreign Application Priority data is missing. This is erroneous.

The corrected Title page of the patent should read -

(30) Foreign Application Priority Data

Feb 1, 2012 (JP)2012-001993

Signed and Sealed this
Second Day of April, 2013



Teresa Stanek Rea
Acting Director of the United States Patent and Trademark Office