



US00D671057S

(12) **United States Design Patent**
Tanevski et al.

(10) **Patent No.:** **US D671,057 S**

(45) **Date of Patent:** **** Nov. 20, 2012**

(54) **WHEEL OR WHEEL COVER**

(75) Inventors: **Slavche Tanevski**, Stuttgart (DE); **Mark Fetherston**, Stuttgart (DE); **Klaus Frenzel**, Stuttgart (DE)

(73) Assignee: **Daimler AG**, Stuttgart (DE)

(**) Term: **14 Years**

(21) Appl. No.: **29/371,260**

(22) Filed: **Dec. 15, 2010**

(30) **Foreign Application Priority Data**

Jun. 16, 2010 (EM) 001720442-0001

(51) **LOC (9) Cl.** **12-16**

(52) **U.S. Cl.** **D12/209**

(58) **Field of Classification Search** D12/204-213;
301/37.101, 64.101, 65, 64.201
See application file for complete search history.

(56) **References Cited**

U.S. PATENT DOCUMENTS

D453,134 S *	1/2002	Murkett et al.	D12/209
D503,669 S *	4/2005	Bhambra	D12/211
D506,717 S *	6/2005	Gallert	D12/209
D533,826 S *	12/2006	Scheu	D12/211

D542,207 S *	5/2007	Gauffres	D12/211
D608,713 S *	1/2010	Bucher et al.	D12/209
D613,657 S *	4/2010	Cortes	D12/209
D629,346 S *	12/2010	Szews	D12/211
D644,588 S *	9/2011	Schweizer	D12/211
D648,254 S *	11/2011	Barry	D12/209
D649,503 S *	11/2011	Platto et al.	D12/209
D651,956 S *	1/2012	Ectors et al.	D12/209
D652,777 S *	1/2012	Spogis	D12/211
D658,108 S *	4/2012	Fetherston et al.	D12/211

* cited by examiner

Primary Examiner — Stacia Cadmus

(74) *Attorney, Agent, or Firm* — Crowell & Moring LLP

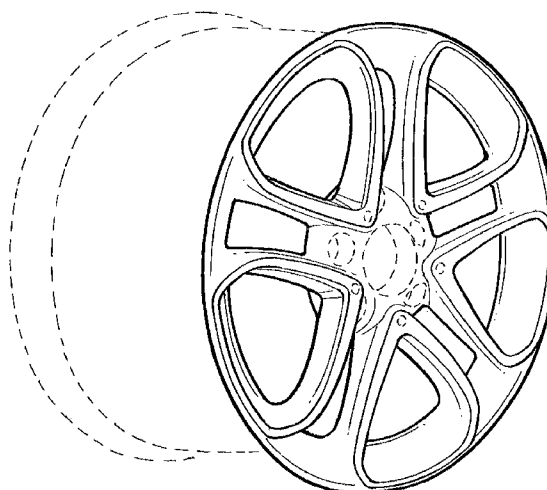
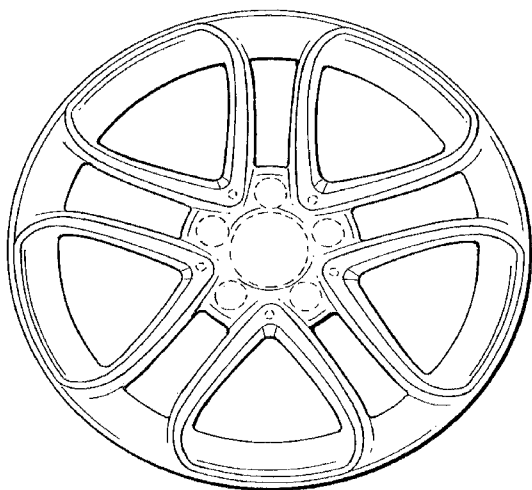
(57) **CLAIM**

The ornamental design for a wheel or wheel cover, as shown and described.

DESCRIPTION

FIG. 1 is a front view of a wheel or wheel cover according to our design; and,
FIG. 2 is a perspective view thereof.
The broken line showing of the rear of the wheel and the bolt holes and center opening in the central hub area is included for the purpose of illustrating environment and forms no part of the claimed design.

1 Claim, 1 Drawing Sheet



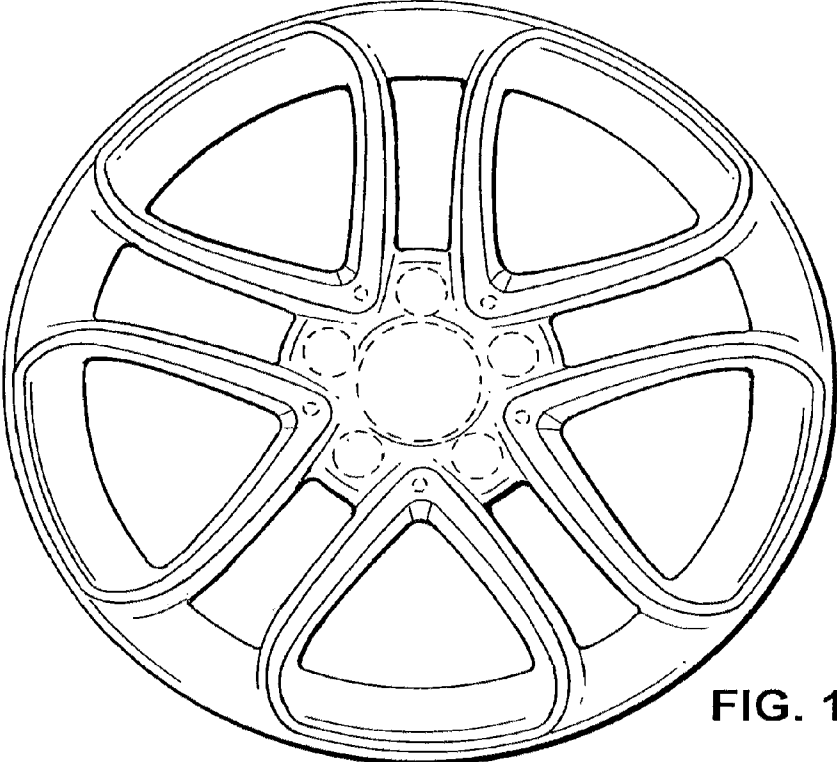


FIG. 1

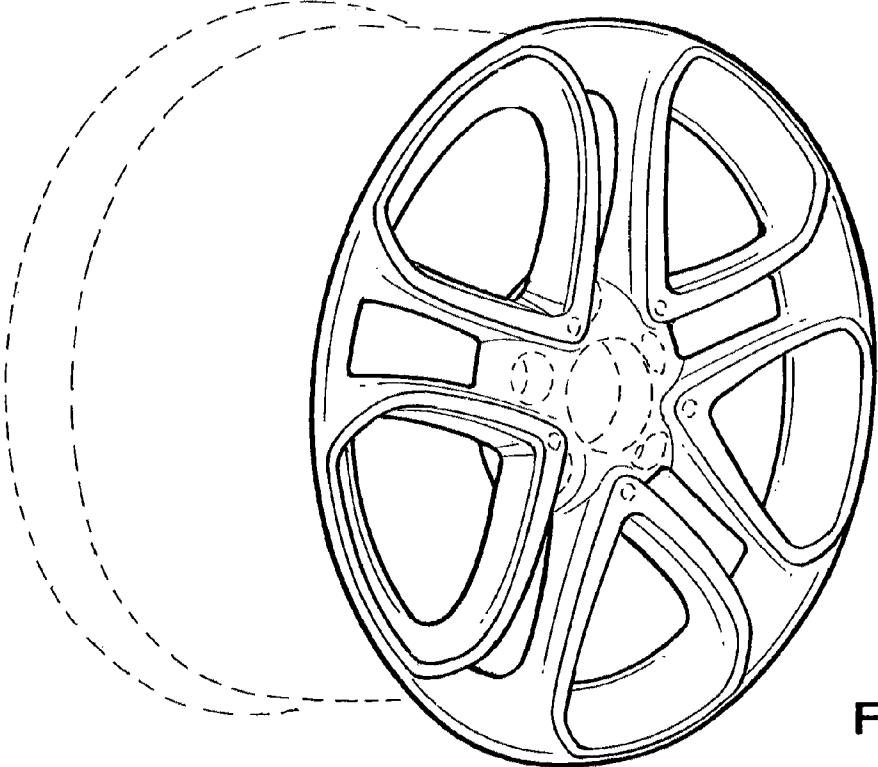


FIG. 2