



US00RE43249E

(19) **United States**
(12) **Reissued Patent**
Ewringmann

(10) **Patent Number:** **US RE43,249 E**
(45) **Date of Reissued Patent:** **Mar. 20, 2012**

(54) **ROOF ASSEMBLY FOR ROAD CONSTRUCTION MACHINE**

(74) *Attorney, Agent, or Firm* — Fish & Richardson P.C.

(75) Inventor: **Ulrich Ewringmann**,
Taufkirchen-Potzham (DE)

(57) **CLAIM**
The ornamental design for a roof assembly for road construction machine, as shown and described.

(73) Assignee: **Joseph Vögele AG**, Ludwigshafen (DE)

(21) Appl. No.: **29/312,214**

(22) Filed: **Jul. 8, 2008**

Related U.S. Patent Documents

Reissue of:

(64) Patent No.: **Des. 554,158**
Issued: **Oct. 30, 2007**
Appl. No.: **29/269,037**
Filed: **Nov. 16, 2006**

(30) **Foreign Application Priority Data**

May 16, 2006 (EM) 000539432

(51) **LOC (9) Cl.** **15-03**

(52) **U.S. Cl.** **D15/30**

(58) **Field of Classification Search** D15/10,
D15/17, 22-26, 28, 30, 33; D34/37; 296/102,
296/215, 224, 225, 187.1, 210, 187.11, 187.12,
296/187.13, 193.12, 190.01, 190.08, 216.02;
135/88.01; 49/501

See application file for complete search history.

(56) **References Cited**

U.S. PATENT DOCUMENTS

D184,043 S * 12/1958 Dodge D15/30
D210,658 S * 4/1968 Lazzeroni D15/30
3,561,816 A * 2/1971 Koch 296/102
3,712,664 A * 1/1973 May 296/102
D230,297 S * 2/1974 Purcell et al. D15/30
D275,199 S * 8/1984 Schmidt et al. D15/30

(Continued)

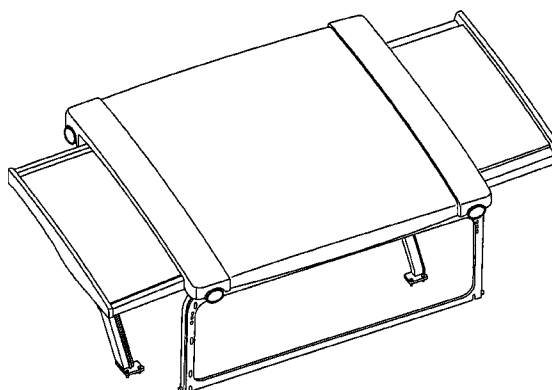
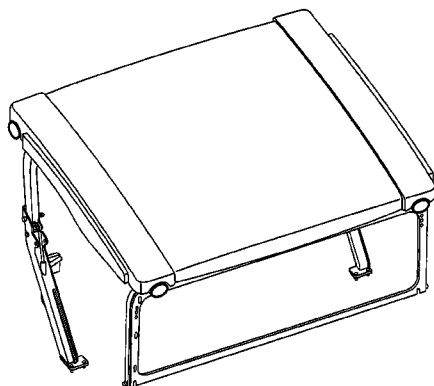
Primary Examiner — Mark Goodwin

DESCRIPTION

FIG. 1 is a perspective view of a roof assembly for road construction machine showing my new design in a closed wing configuration;
FIG. 2 is a left elevation view of the roof assembly for road construction machine of FIG. 1;
FIG. 3 is a front elevation view of the roof assembly for road construction machine of FIG. 1;
FIG. 4 is a right elevation view of the roof assembly for road construction machine of FIG. 1;
FIG. 5 is a top plan view of the roof assembly for road construction machine of FIG. 1;
FIG. 6 is a bottom plan view of the roof assembly for road construction machine of FIG. 1;
FIG. 7 is a rear elevation view of the roof assembly for road construction machine of FIG. 1;
FIG. 8 is a perspective view of a roof assembly for road construction machine showing my new design in an open wing configuration;
FIG. 9 is a left elevation view of the roof assembly for road construction machine of FIG. 8;
FIG. 10 is a front elevation view of the roof assembly for road construction machine of FIG. 8;
FIG. 11 is a right elevation view of the roof assembly for road construction machine of FIG. 8;
FIG. 12 is a top plan view of the roof assembly for road construction machine of FIG. 8;
FIG. 13 is a bottom plan view of the roof assembly for road construction machine of FIG. 8; and,
FIG. 14 is a rear elevation view of the roof assembly for road construction machine of FIG. 8.

1 Claim, 8 Drawing Sheets

Matter enclosed in heavy brackets [] appears in the original patent but forms no part of this reissue; matter printed in italics indicates the additions made by reissue.



US RE43,249 E

Page 2

U.S. PATENT DOCUMENTS

4,721,031	A *	1/1988	Nakata et al.	454/121	5,695,238	A *	12/1997	Calamari et al.	296/210
D306,450	S *	3/1990	Funabashi et al.	D15/30	6,189,955	B1 *	2/2001	Fryk et al.	296/190.08
D317,011	S *	5/1991	Boddin et al.	D15/30	6,688,682	B2 *	2/2004	Arthur et al.	296/216.02
D329,435	S *	9/1992	Katoh et al.	D15/23	D507,281	S *	7/2005	Komatsu et al.	D15/30
D348,553	S *	7/1994	Martin, Jr.	D34/37	D507,800	S *	7/2005	Kuwae et al.	D15/30

* cited by examiner

FIG. 1

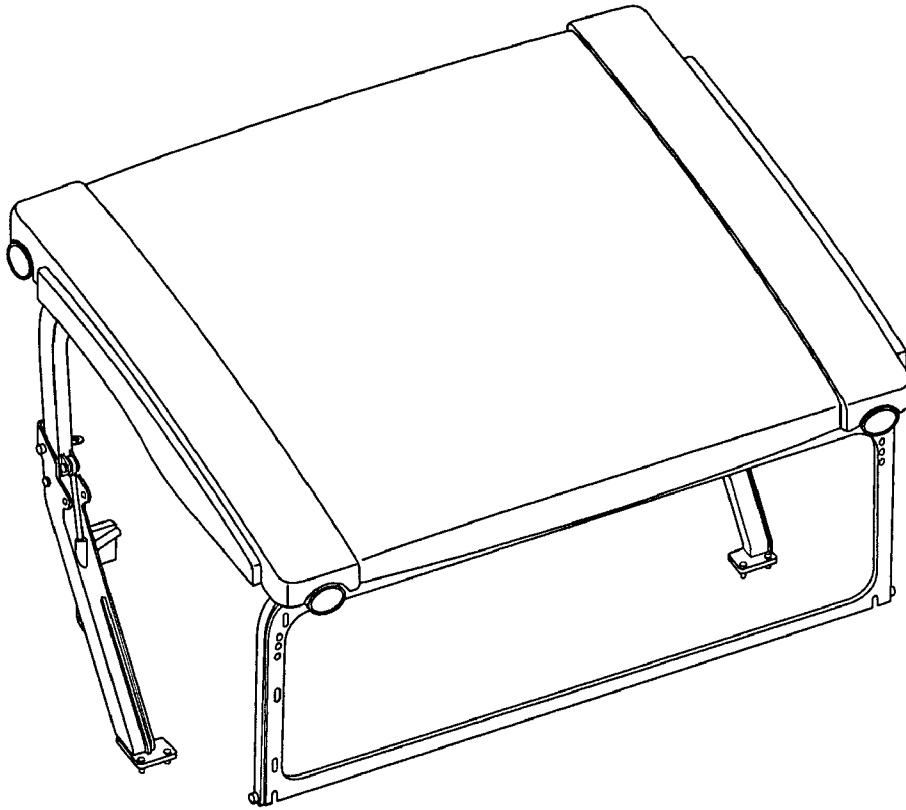


FIG. 2

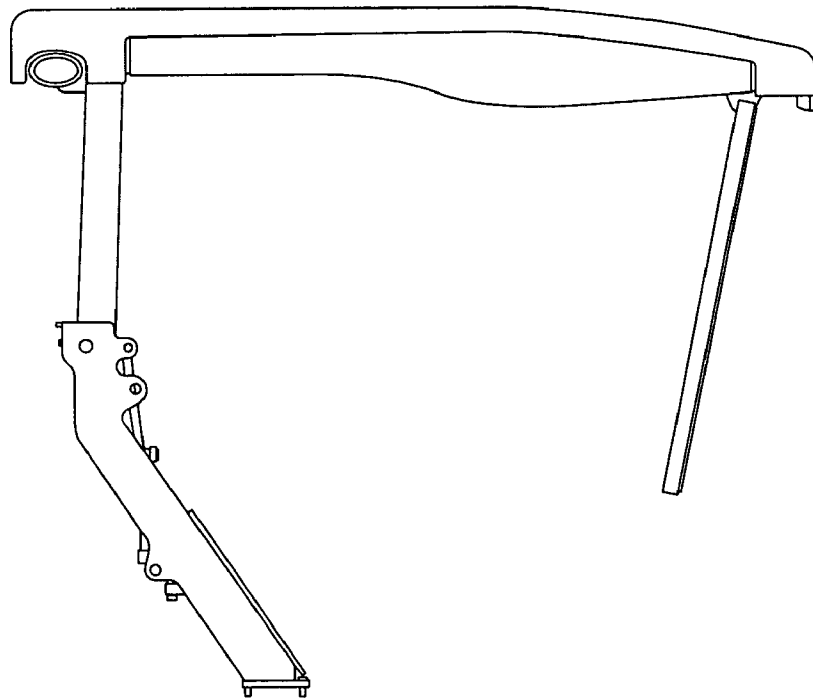


Fig. 3

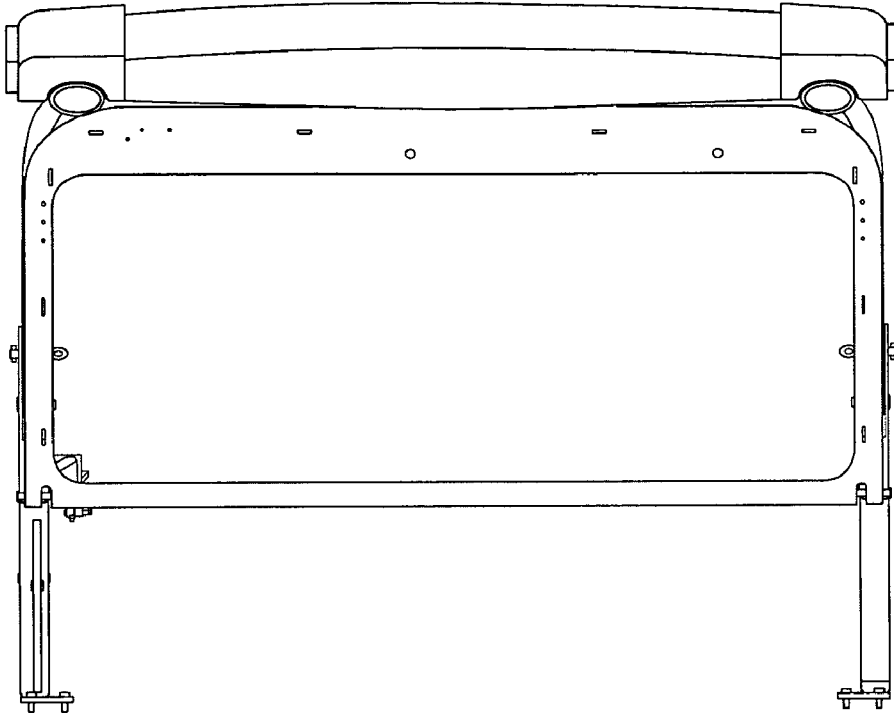


Fig. 4

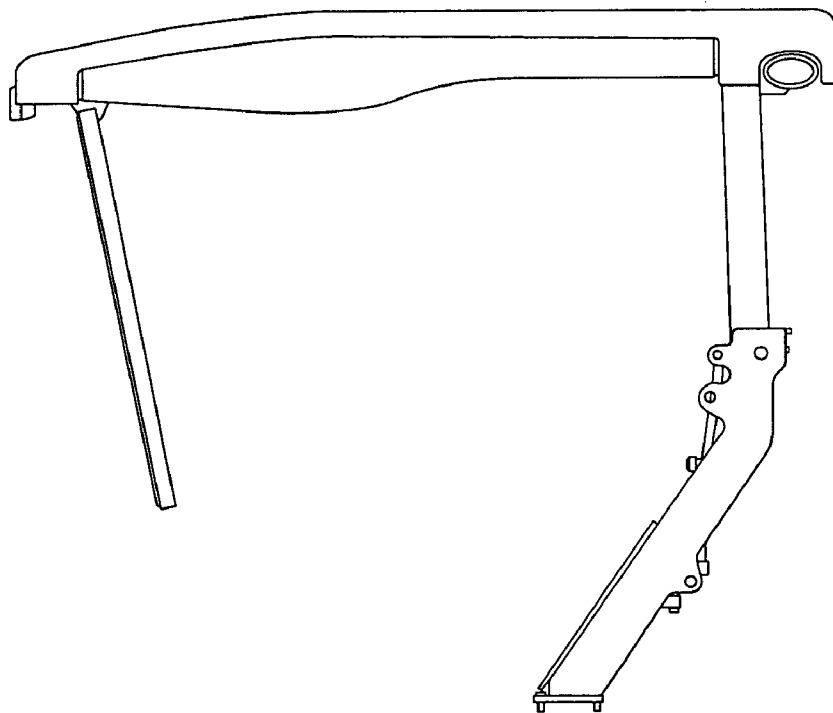


Fig. 5

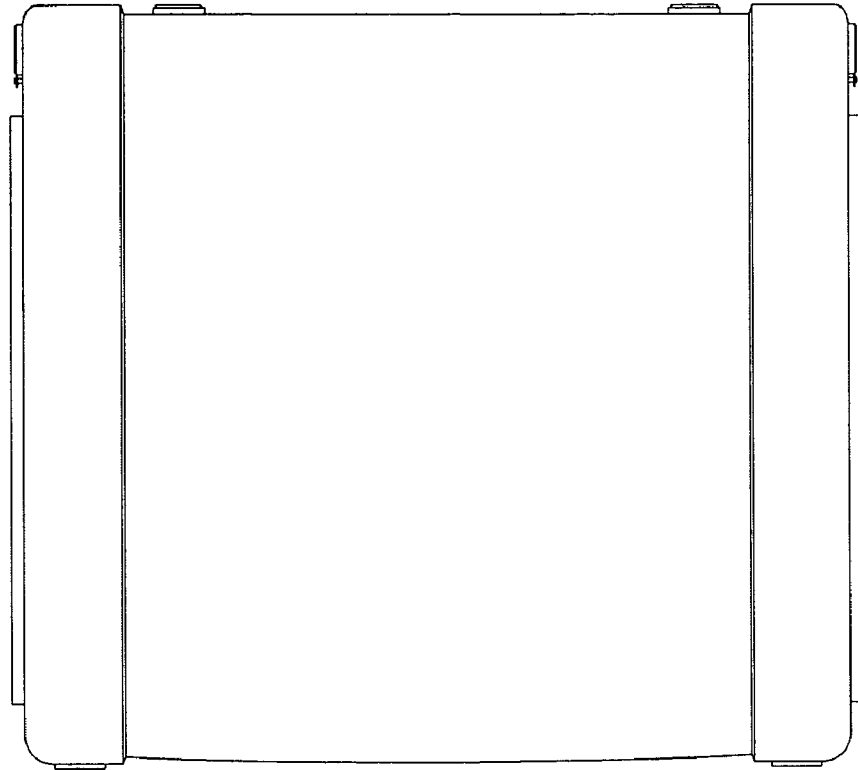


Fig. 6

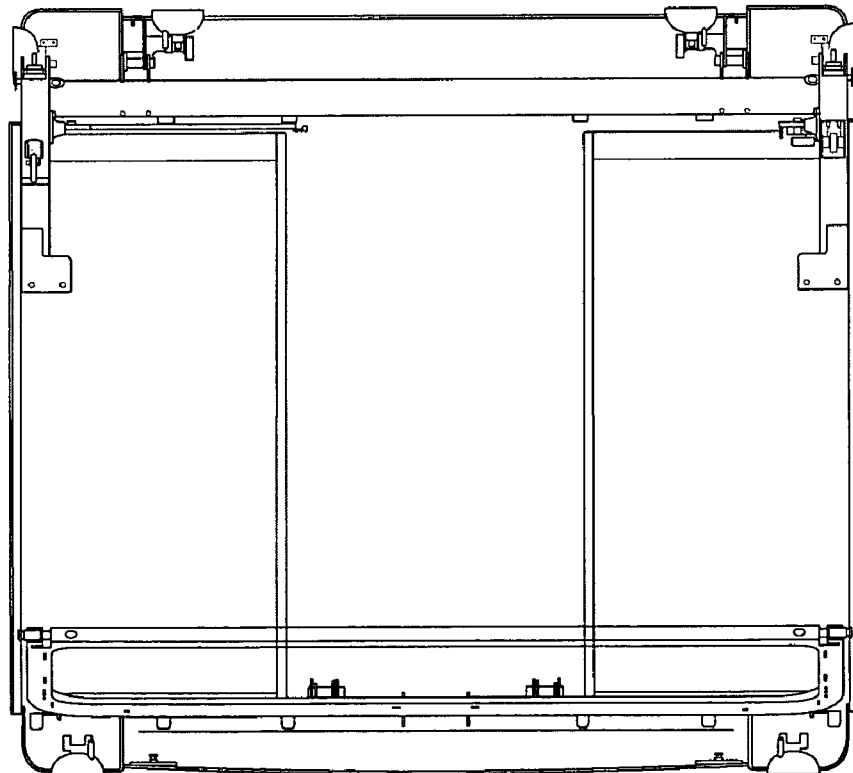


FIG. 7

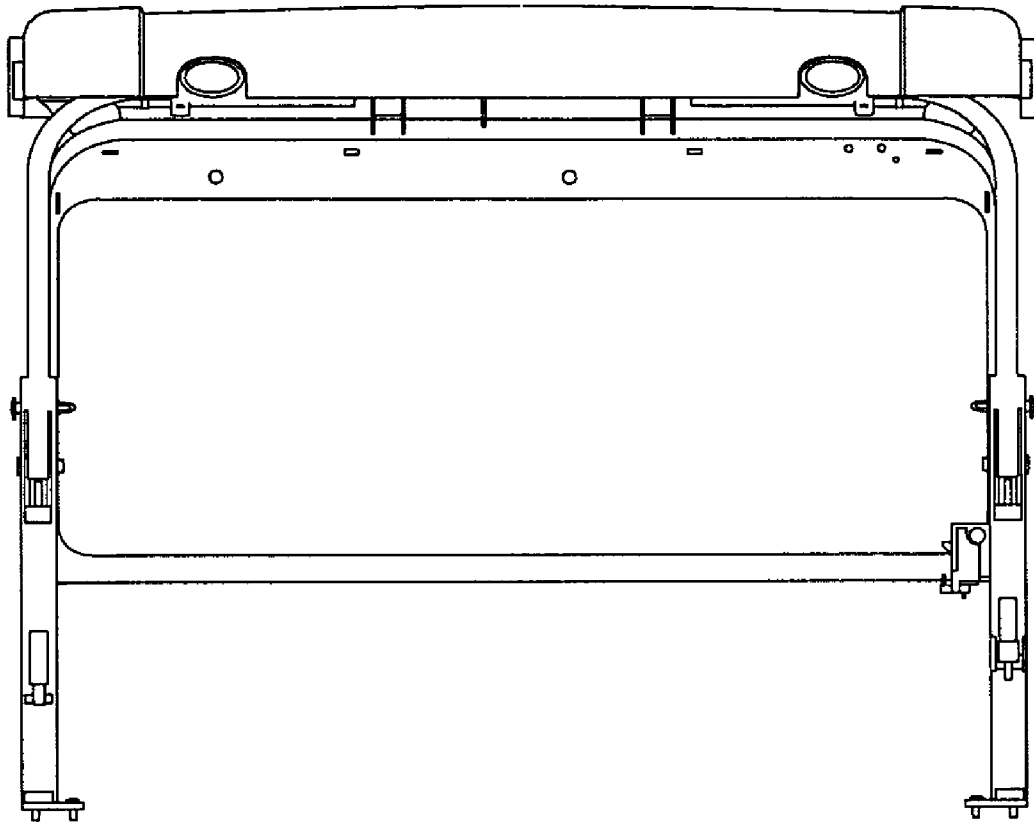


FIG. 8

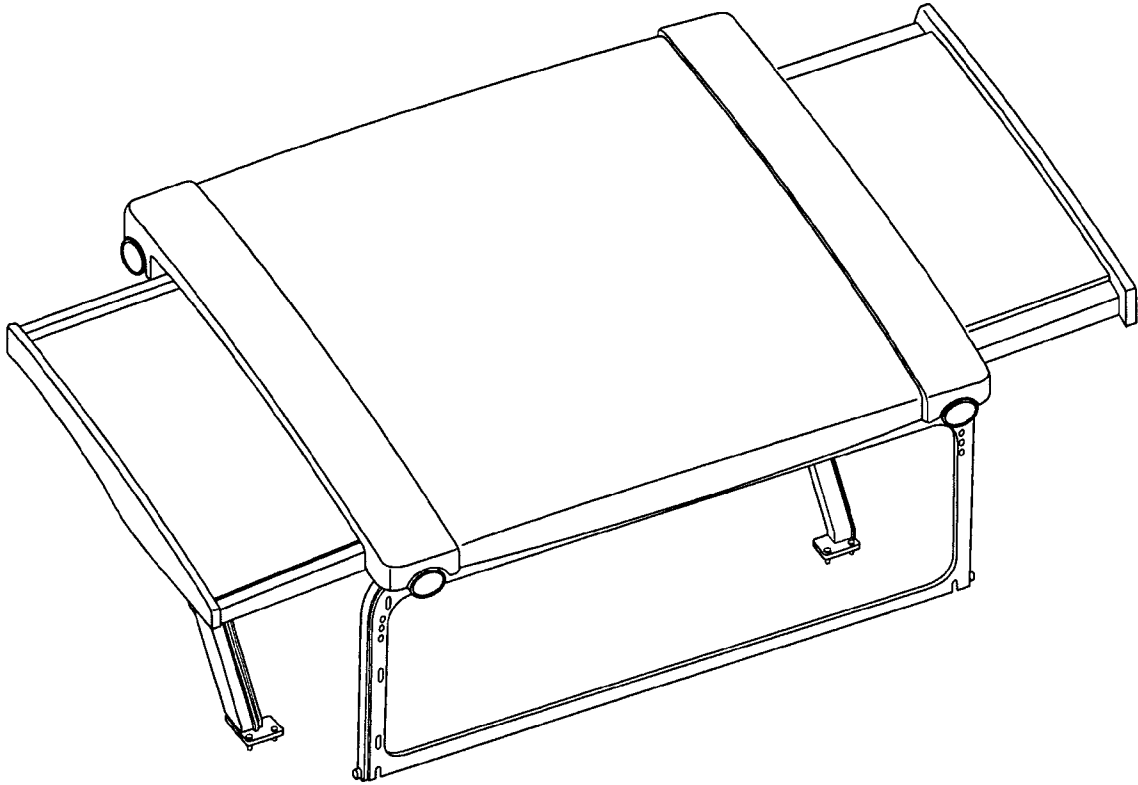


FIG. 9

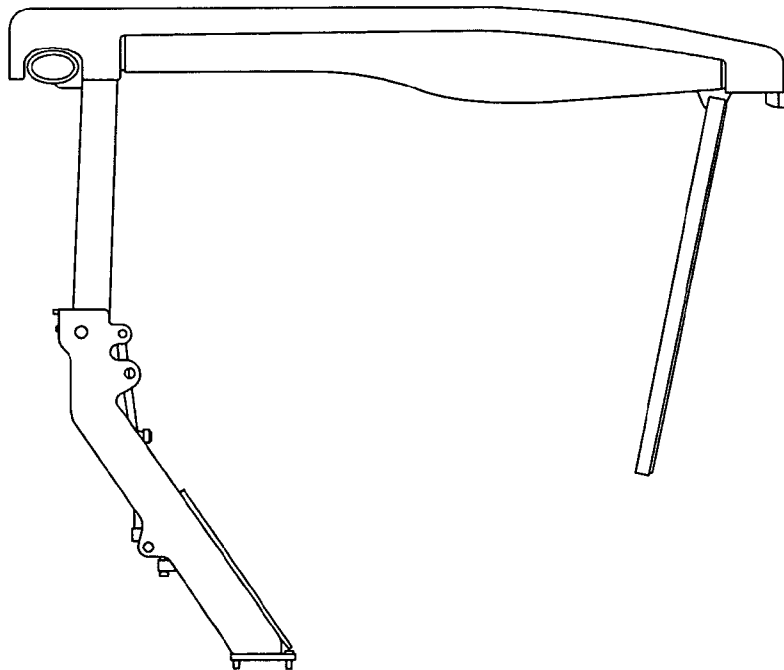


Fig. 10

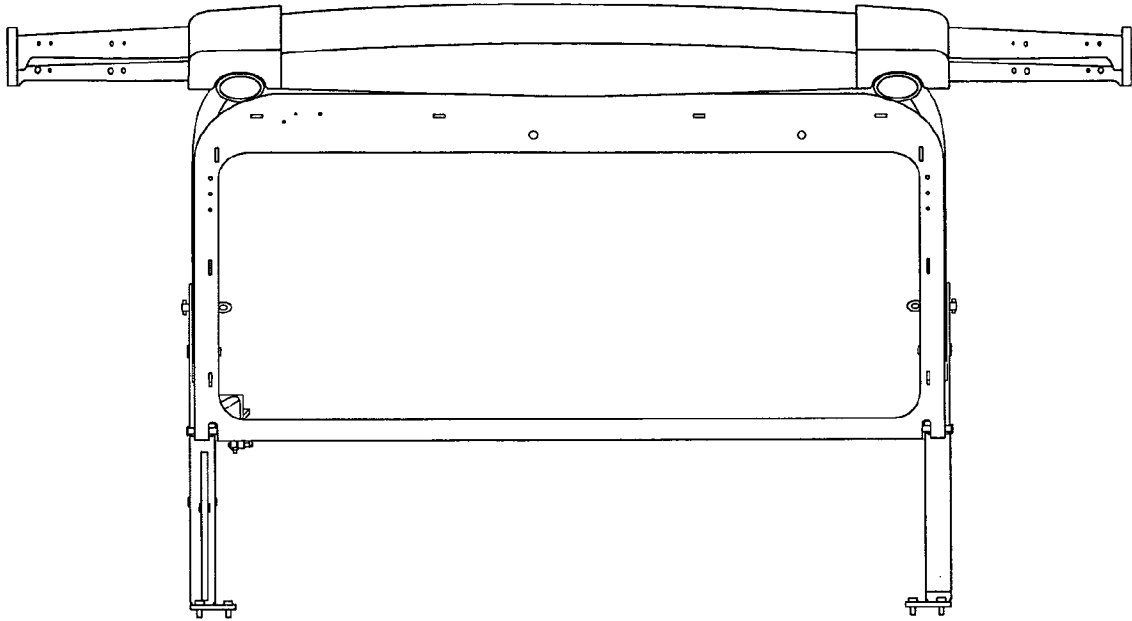


Fig. 11

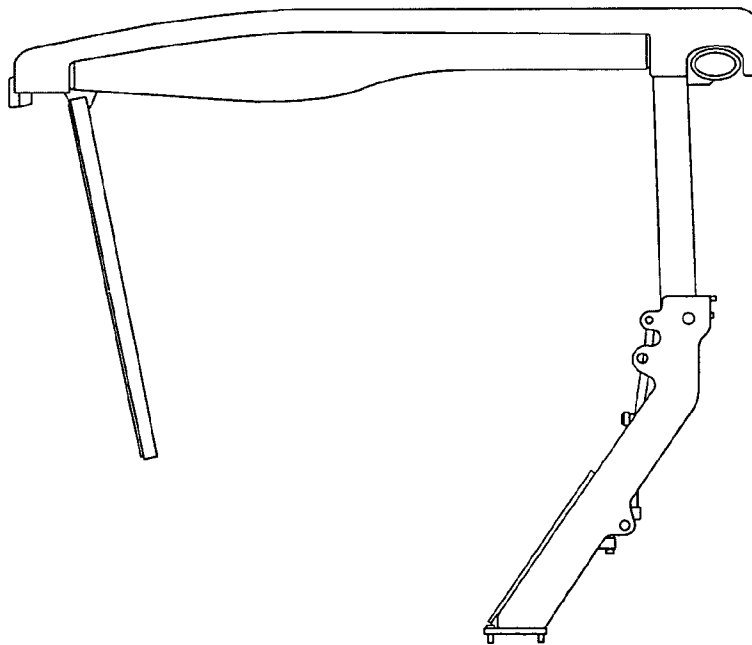


Fig. 12

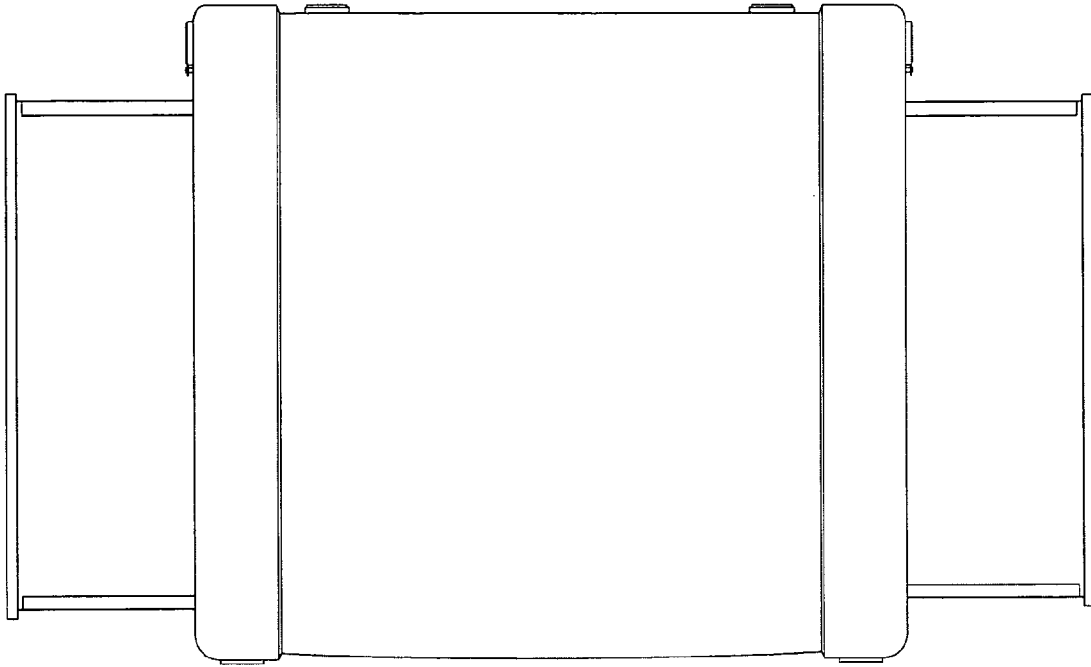


Fig. 13

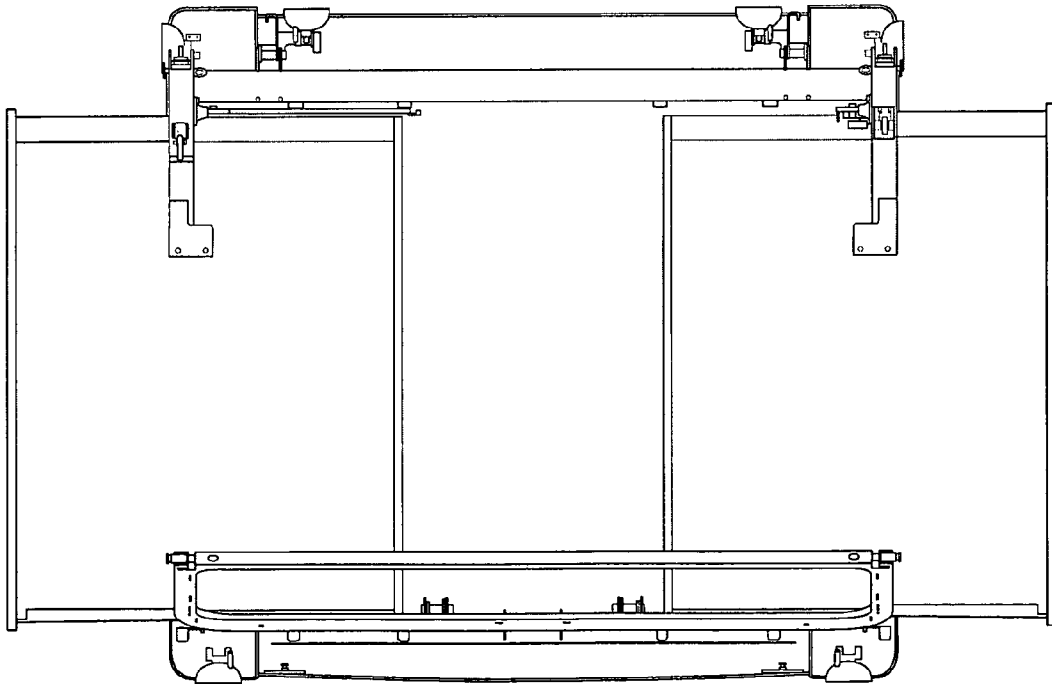


FIG. 14

